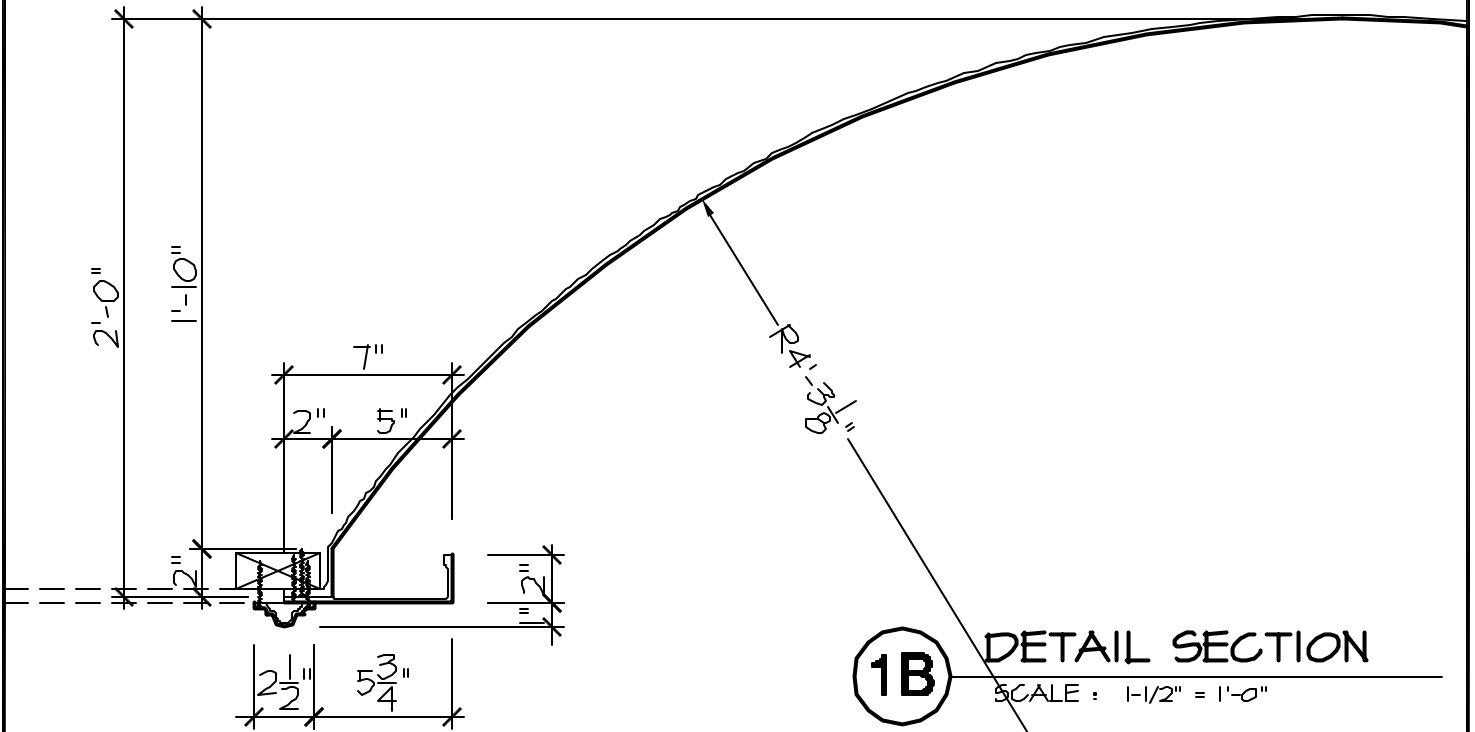


1A

REFLECTED  
PLAN VIEW

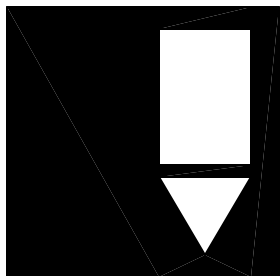
SCALE : 1/2" = 1'-0"



1B

DETAIL SECTION

SCALE : 1-1/2" = 1'-0"



**FIRST CLASS  
BUILDING  
PRODUCTS**

Phone 770.514.8141  
Fax 770.514.0731

PROJECT: <b>FIRST CLASS</b>		SHEET NO.  <b>P5</b>
BUILDING PRODUCTS		
JOB NO:		
TITLE: <b>GFRP DOME</b>		PAGE
TITLE: <b>7'-0" DIAMETER</b>		
SCALE: <b>AS SHOWN</b>	DRAWN BY: <b>LT</b>	<b>8</b> OF <b>9</b>