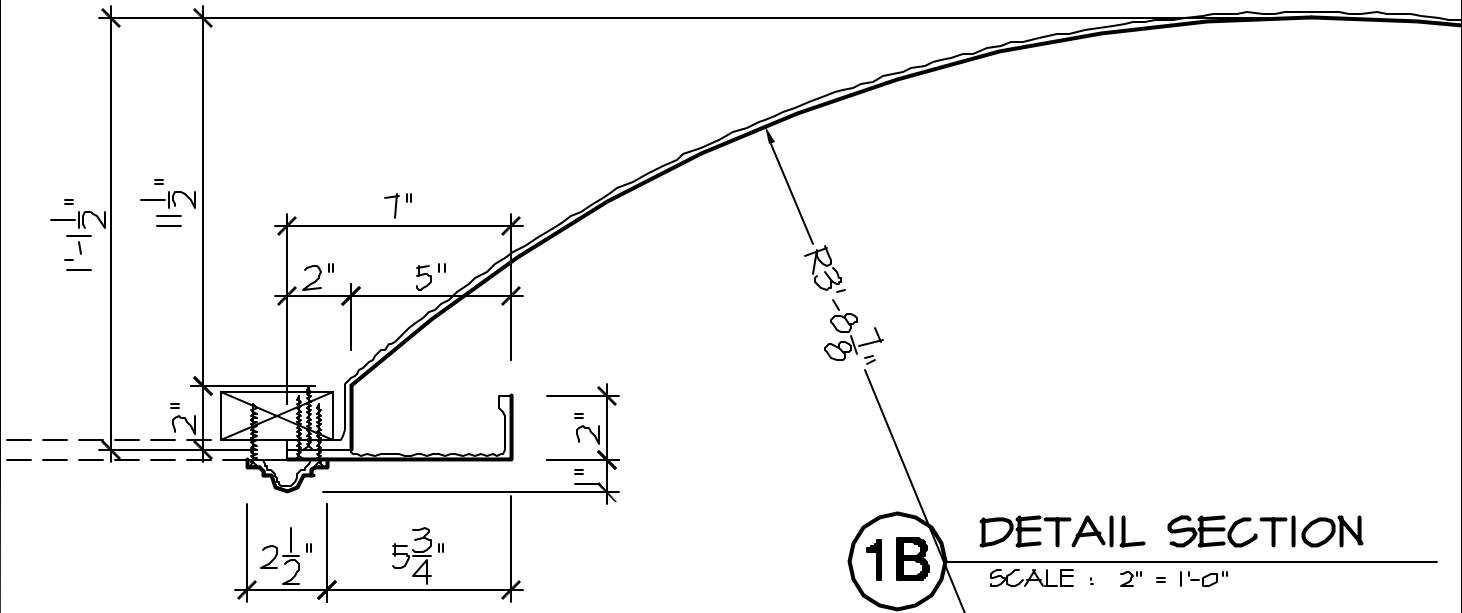
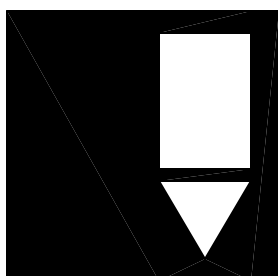


**1A** REFLECTED PLAN VIEW  
SCALE : 3/4" = 1'-0"



**1B** DETAIL SECTION  
SCALE : 2" = 1'-0"



**FIRST CLASS  
BUILDING  
PRODUCTS**

1418 FENWICK DRIVE  
MARIETTA, GA 30084  
Phone 770.514.8141  
Fax 770.514.0731

|                              |                     |
|------------------------------|---------------------|
| PROJECT: <b>FIRST CLASS</b>  |                     |
| <b>BUILDING PRODUCTS</b>     |                     |
| JOB NO:                      |                     |
| TITLE: <b>GFRP DOME</b>      |                     |
| TITLE: <b>5'-0" DIAMETER</b> |                     |
| SCALE: <b>AS SHOWN</b>       | DRAWN BY: <b>LT</b> |

|                        |
|------------------------|
| SHEET NO.<br><b>P3</b> |
| PAGE<br><b>5 OF 9</b>  |