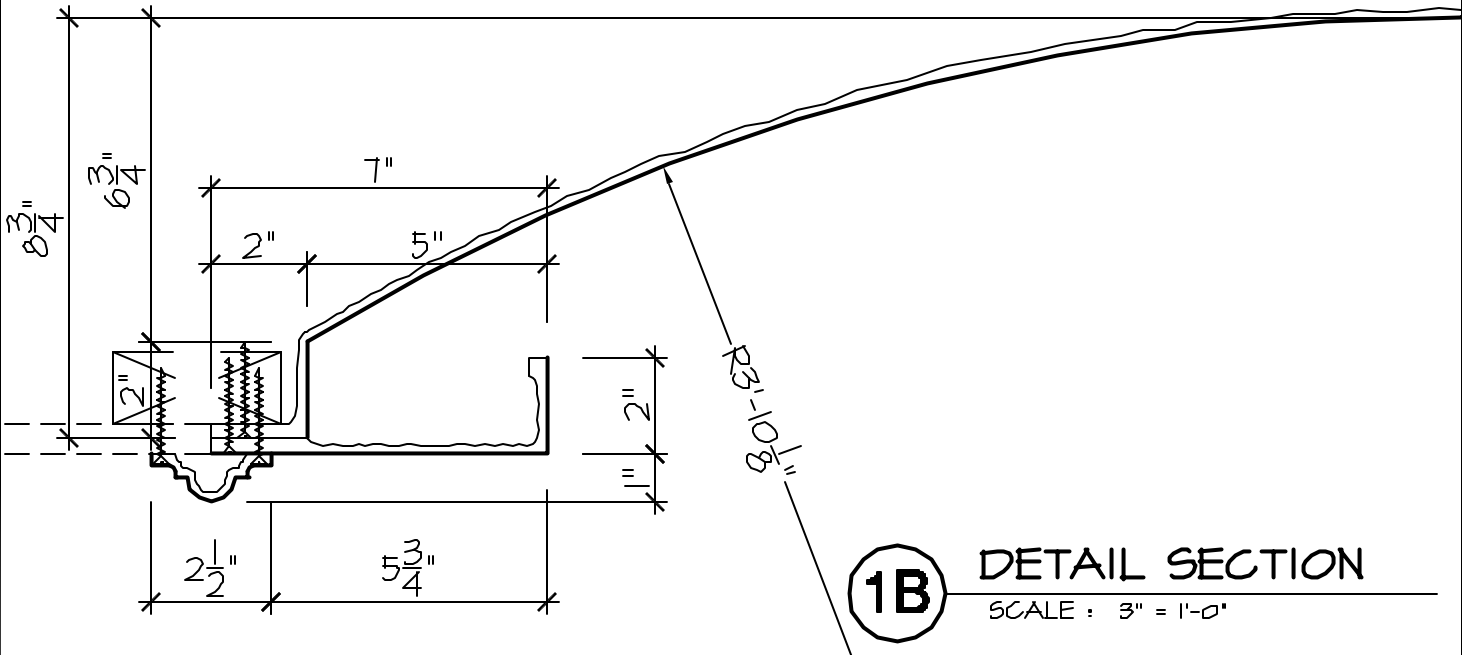
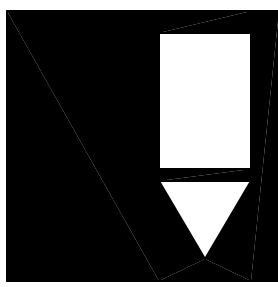


1A REFLECTED PLAN VIEW
SCALE : 3/4" = 1'-0"



1B DETAIL SECTION
SCALE : 3" = 1'-0"



**FIRST CLASS
BUILDING
PRODUCTS**

Phone 770.514.8141
Fax 770.514.0731

PROJECT: FIRST CLASS	
BUILDING PRODUCTS	
JOB NO:	
TITLE: GFRP DOME	
TITLE: 4'-0" DIAMETER	
SCALE: AS SHOWN	DRAWN BY: LT

SHEET NO. P2A
PAGE 4 OF 9