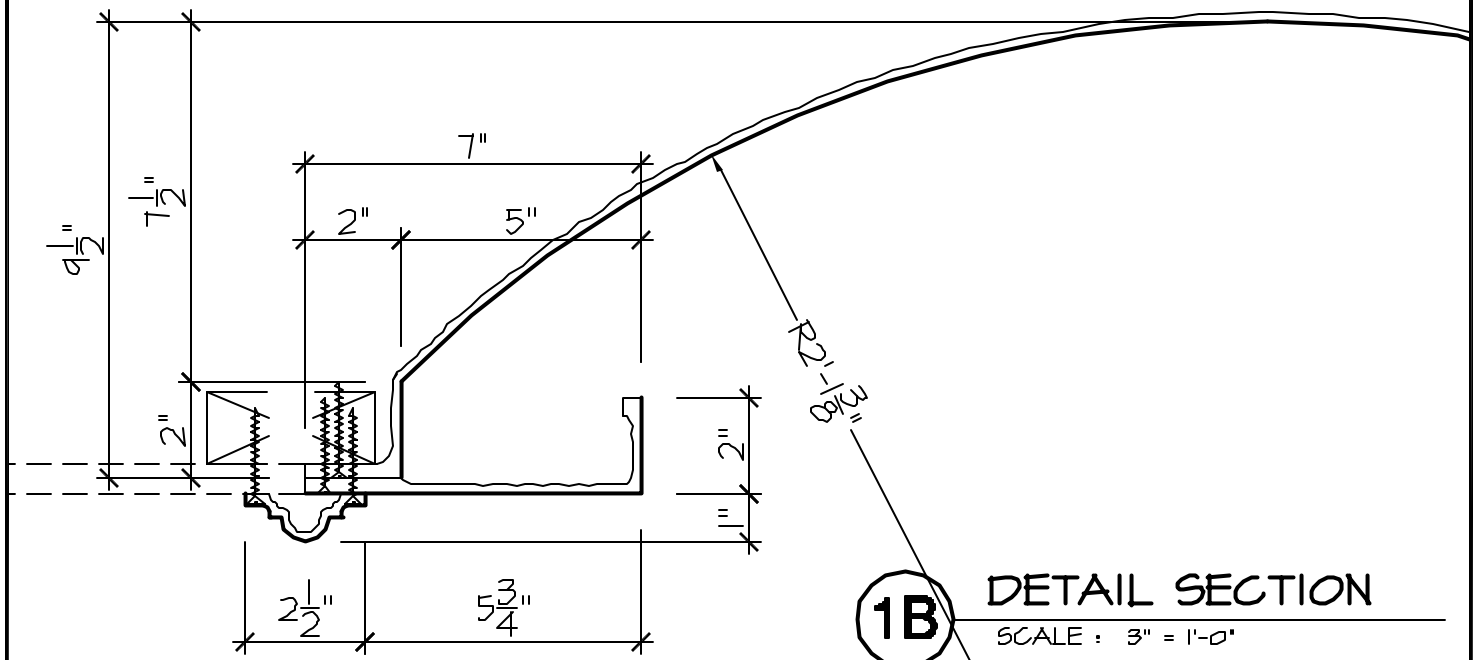


**1A**

**REFLECTED  
PLAN VIEW**

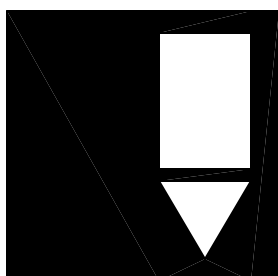
SCALE : 1" = 1'-0"



**1B**

**DETAIL SECTION**

SCALE : 3" = 1'-0"



**FIRST CLASS  
BUILDING  
PRODUCTS**

1418 FENWICK DRIVE  
MARIETTA, GA 30064  
Phone 770.514.8141  
Fax 770.514.0731

PROJECT: <b>FIRST CLASS</b>		SHEET NO.  <b>P1A</b>
BUILDING PRODUCTS		
JOB NO:		
TITLE: <b>GFRP DOME</b>		PAGE
TITLE: <b>3'-0" DIAMETER</b>		
SCALE: <b>AS SHOWN</b>	DRAWN BY: <b>LT</b>	<b>2 OF 9</b>