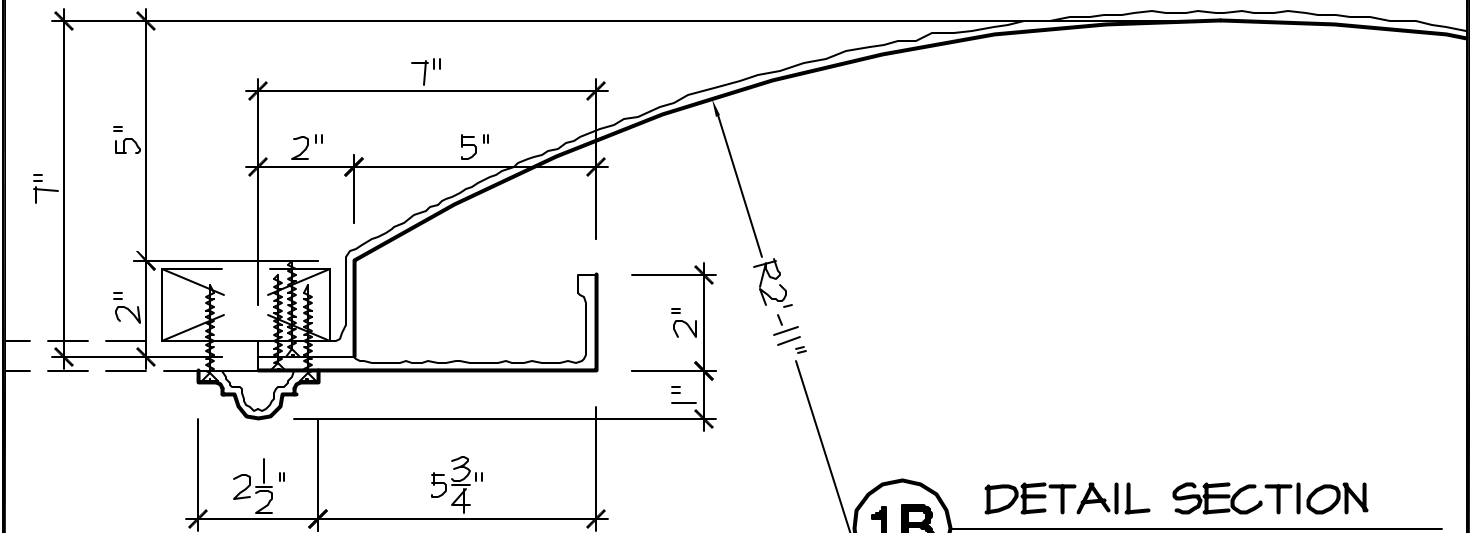


1A

**REFLECTED
PLAN VIEW**

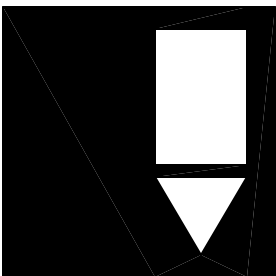
SCALE : 1" = 1'-0"



1B

DETAIL SECTION

SCALE : 3" = 1'-0"



**FIRST CLASS
BUILDING
PRODUCTS**

Phone 770.514.8141
Fax 770.514.0731

PROJECT: FIRST CLASS		SHEET NO. P1
BUILDING PRODUCTS		
JOB NO:		
TITLE: GFRP DOME		PAGE 1 OF 9
TITLE: 3'-0" DIAMETER		
SCALE: AS SHOWN	DRAWN BY: LT	