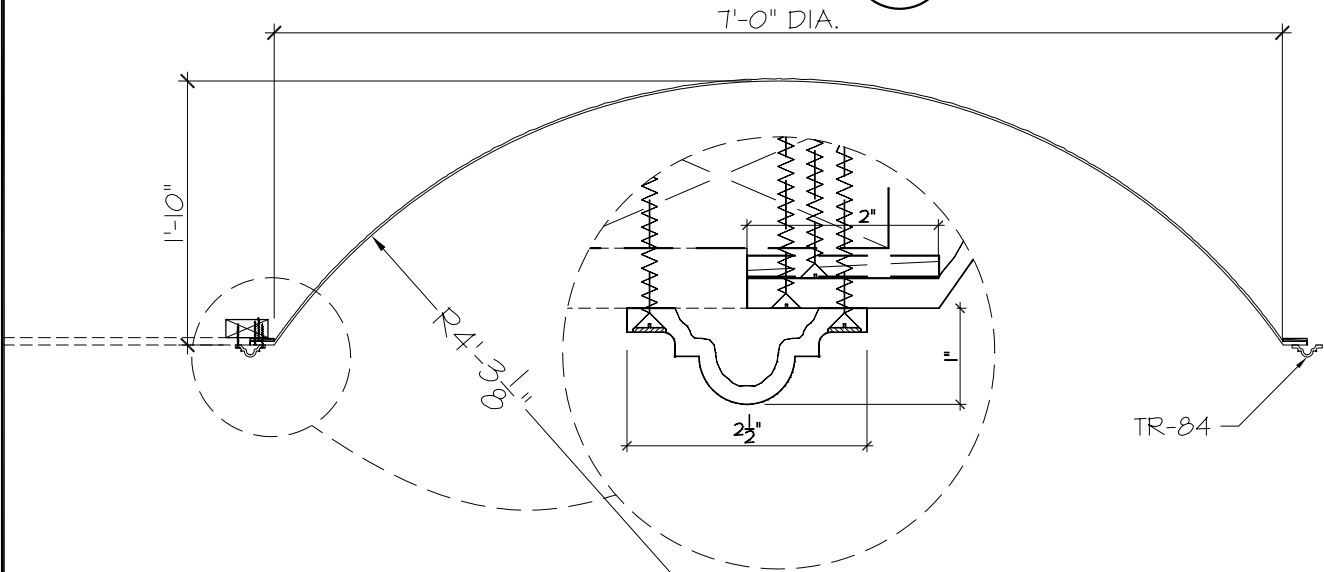


1A

REFLECTED  
PLAN VIEW

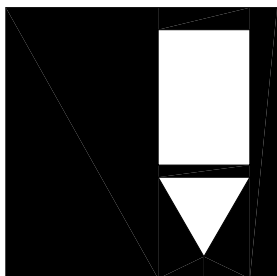
SCALE : 1/2" = 1'-0"



1B

DETAIL SECTION

SCALE : 3/4" = 1'-0"



**FIRST CLASS  
BUILDING  
PRODUCTS**

3600 DALLAS HWY  
SUITE #230-387  
MARIETTA, GA 30064  
Phone 770.514.8141  
Fax 770.514.0731

PROJECT:		FIRST CLASS
		BUILDING PRODUCTS
JOB NO:		
TITLE:		GFRP DOME
TITLE:		7'-0" DIAMETER
SCALE:	AS SHOWN	DRAWN BY: --

SHEET NO.	D8422-T
PAGE	
OF	