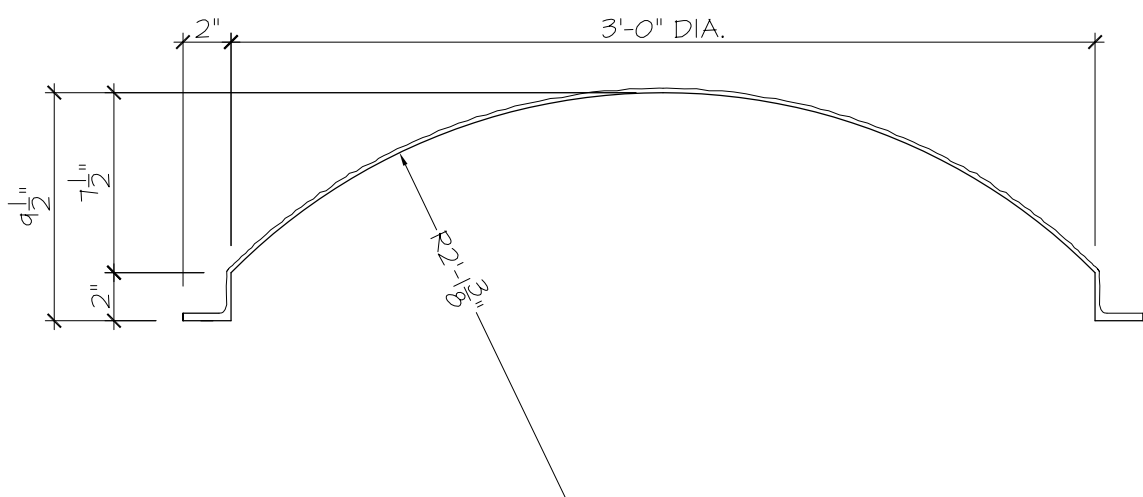
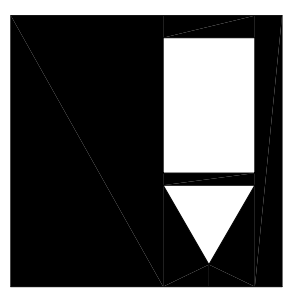


**1A** REFLECTED PLAN VIEW  
SCALE : 1" = 1'-0"



**1B** DETAIL SECTION  
SCALE : 1-1/2" = 1'-0"



**FIRST CLASS  
BUILDING  
PRODUCTS**

3600 DALLAS HWY  
SUITE #230-387  
MARIETTA, GA 30064  
Phone 770.514.8141  
Fax 770.514.0731

PROJECT: FIRST CLASS		SHEET NO.  <b>D3695</b>
BUILDING PRODUCTS		
JOB NO:		
TITLE: GFRP DOME		PAGE  OF
TITLE: 3'-0" DIAMETER		
SCALE: AS SHOWN	DRAWN BY: --	